

The CT Smart tub Range

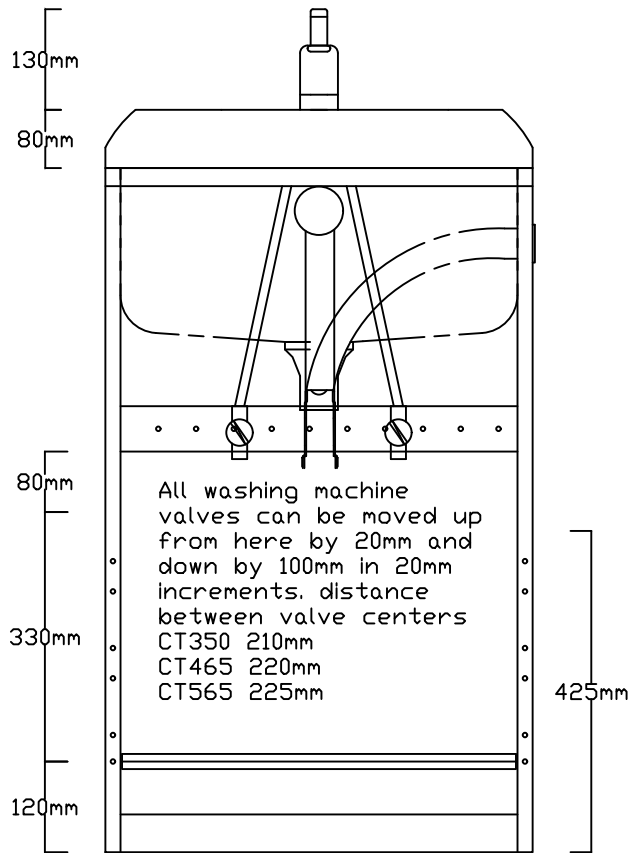
from **DISSCO**

**Made in
New Zealand**

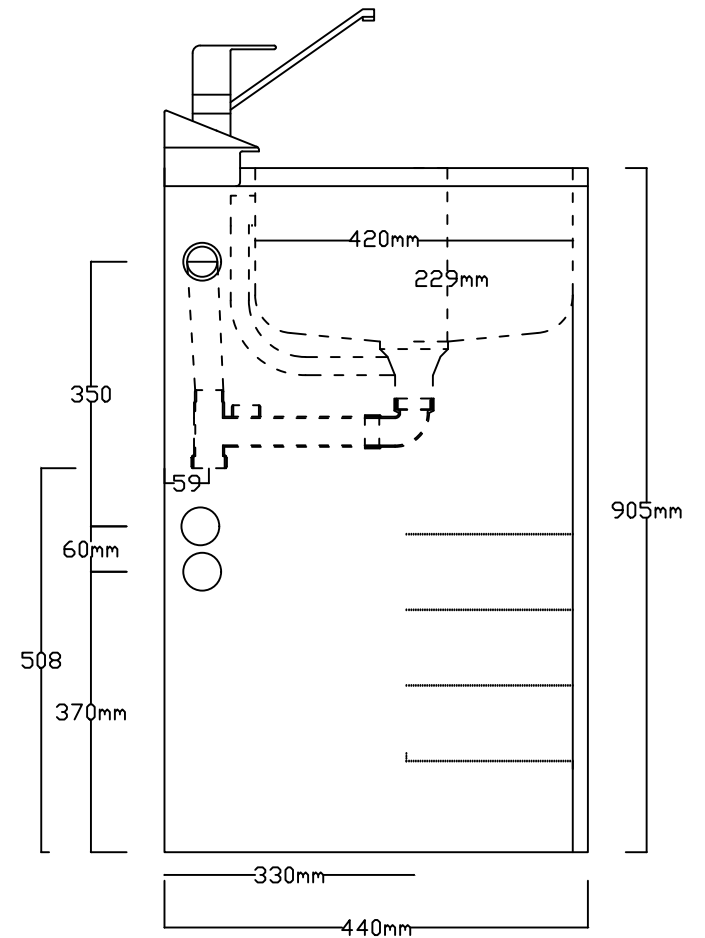
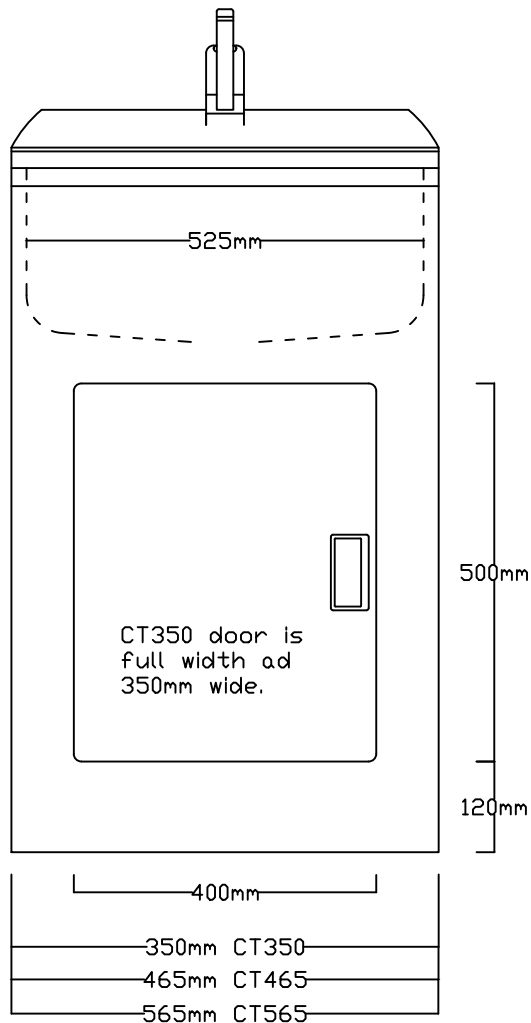


- Cabinet made in NZ for over 25 years,
- Cabinet shelf and tap panel made from NZ Steel ZM100, with a galvanized coating up to 9 times thicker than imported cabinets
- All galvanized steel is powder coated white
- Movable shelf standard in all models, 4 positions
- Child-proof safety catch on all doors
- Integrated overflow and waste system
- Separate washing machine waste water by-pass in all tubs
- Washing machine isolator ball valves pre-connected and mounted on a sturdy movable bracket under the tub ready for easy connection to both the water supply and washing machine
- Shelves can be removed and refitted after installation (ensuring an easier installation)
- Fixed floor plate standard in all models
- DISSCO brand mixer with dual WEL's rating, all taps and connections are pre-tested
- Side knock outs for washing machine hoses
- Stainless Steel 18/8 polished, fabricated tubs made in NZ and proven for over 50 years

Manufactured in New Zealand by Dunedin Stainless Steel Co. Ltd.
34-44 Sturdee St, Dunedin



Basin size shown is for 565 wide STP 465 and 350 wide basins reduce accordingly to scale. use front view dimensions for widths.



CT Smart Tub Range as at 15 June 2017