

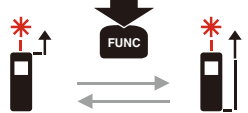

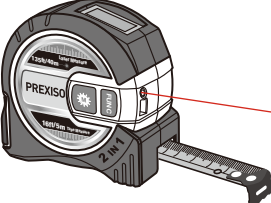


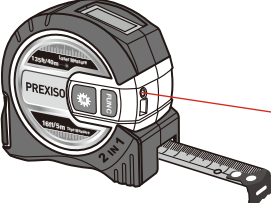

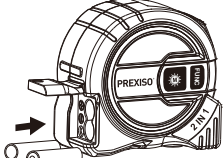
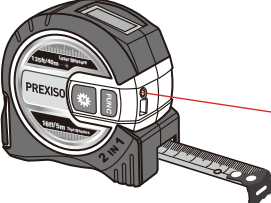



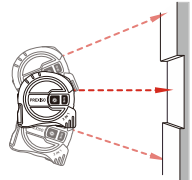
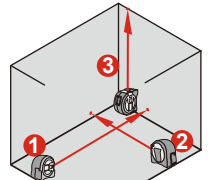




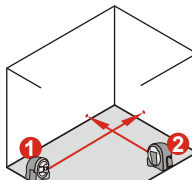


 <b>3 sec</b>	 →  <a href="http://www.prexiso-eu.com">www.prexiso-eu.com</a>	<p style="text-align: right;">PLT40CB</p> <h1 style="text-align: center;">PREXISO®</h1> <p style="text-align: center;"><b>LASER &amp; TAPE DISTANCE MEASURE</b></p> <div style="display: flex; justify-content: space-around;"> <div style="border: 1px solid black; padding: 2px;"><b>135ft/40M LASER</b></div> <div style="border: 1px solid black; padding: 2px;"><b>16ft/5M TAPE</b></div> </div>
 <p style="text-align: center;">Reference Change</p>	<div style="border: 2px solid black; padding: 5px; background-color: #ffff00;">  <p style="font-size: 8px;">             &lt;1.0mW @ 620-690nm              EN 60825-1:2014/A11:2021              EN 50689:2021              IEC 60825-1:2014           </p> <p style="font-size: 8px;">             Complies with 21 CFR 1040.10 and 1040.11              except for conformance with IEC 60825-1              Ed. 3, as described in Laser Notice No. 56,              dated May 8, 2019. Class 2 consumer laser              product. Do not stare into beam.           </p> </div> <p style="text-align: center;">PLT40CB-04REV02-2402</p>	
 <b>3 sec</b>	 <b>3 sec</b>	
<div style="display: flex; justify-content: space-around; align-items: center;"> <div style="border: 1px solid black; padding: 2px;">0.000 m</div> <div style="border: 1px solid black; padding: 2px;">0.00 ft</div> </div> <div style="display: flex; justify-content: center; align-items: center; margin: 5px 0;">  </div> <div style="display: flex; justify-content: space-around; align-items: center;"> <div style="border: 1px solid black; padding: 2px;">0'00" 1/16</div> <div style="border: 1px solid black; padding: 2px;">0 1/16 in</div> </div> <p style="text-align: center;">Unit Change</p>	 <p style="text-align: center;">Battery Installation</p>	
	 <b>2x</b>	 <b>4x</b>
 <p style="text-align: center;">Continuous Measuring</p>	 <p style="text-align: center;">Volume Measurement</p>	<div style="border: 1px solid black; padding: 5px; margin-bottom: 5px;">       - 20.000 m        -----        m     </div> <div style="text-align: center; margin-bottom: 5px;">  </div> <div style="border: 1px solid black; padding: 5px;">       - 5.000 m        -----        15.000 m     </div> <p style="text-align: center;">Measurement Subtraction</p>
 <b>1x</b>	 <b>3x</b>	 <b>1.5 sec</b>
 <p style="text-align: center;">Area Measurement</p>	<div style="border: 1px solid black; padding: 5px; margin-bottom: 5px;">       + 5.000 m        -----        m     </div> <div style="text-align: center; margin-bottom: 5px;">  </div> <div style="border: 1px solid black; padding: 5px;">       + 5.000 m        -----        10.000 m     </div> <p style="text-align: center;">Measurement Addition</p>	<div style="border: 1px solid black; padding: 5px; margin-bottom: 5px;">       + 5.000 m        -----        10.000 m     </div> <div style="text-align: center; margin-bottom: 5px;">  </div> <div style="border: 1px solid black; padding: 5px;">       -----        m     </div> <p style="text-align: center;">Data Clear</p>