

BUACWM

Air Conditioner Wall Mount



Adjustable Mounting Base

This Universal Air Conditioner wall mount has an adjustable mounting base from 100x400mm (WxD) up to 750x400mm (WxD)













Maximum Weight

This Universal Air Conditioner wall mount supports AC Units weighing up to 250kg and includes anti-vibration pads for noise reduction

⚠ SAFETY FIRST

1. Installation of this Air Conditioner Wall Mount will be easier with two people to safely lift and position the equipment.
2. Some images in this guide may vary slightly from the actual components supplied.
3. Ensure this instruction manual is completely read and understood before attempting installation.
4. This Air Conditioner Wall Mount **MUST NOT** be installed solely in plasterboard, fibre cement and similar surfaces.
5. This Air Conditioner Wall Mount **MUST** be installed in sound supporting structures such as those made of timber, steel or masonry using appropriate fasteners.
6. The supporting structure must be capable of sustaining the combined weight of the wall mount, AC unit and components otherwise the structure must be reinforced.
7. The fasteners supplied in this hardware pack allow for installation into masonry only. Please consult a professional builder before installing into drywall (timber supports) or steel as you will require appropriate load rating bolts before installation (sold separately).
8. Use appropriate tools and safety equipment and ensure adequate ventilation during installation.
9. If uncertain about any aspect of installation, contact The Crest Company or an installation professional.
10. Please retain these instructions for future reference.

Hardware Kit Contents

ITEM	DESCRIPTION	QTY	ITEM	DESCRIPTION	QTY
A	Wall Plate 	1	M-A	M8 x 25mm Bolt 	4
B	Anti-vibration Pads 	4	M-B	M8 x 55mm Bolt 	4
C	Vertical Mount Arm 	2	M-C	D8 Washer 	4
D	Horizontal Mount Arm 	2	M-D	Locking Nut 	8
E	Wall Spacer 	2	W-A	Concrete Bolt 	5

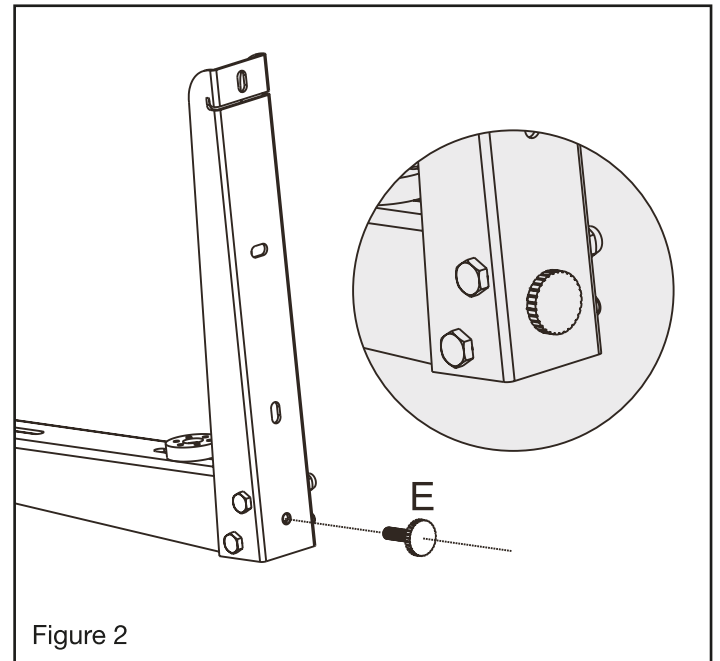
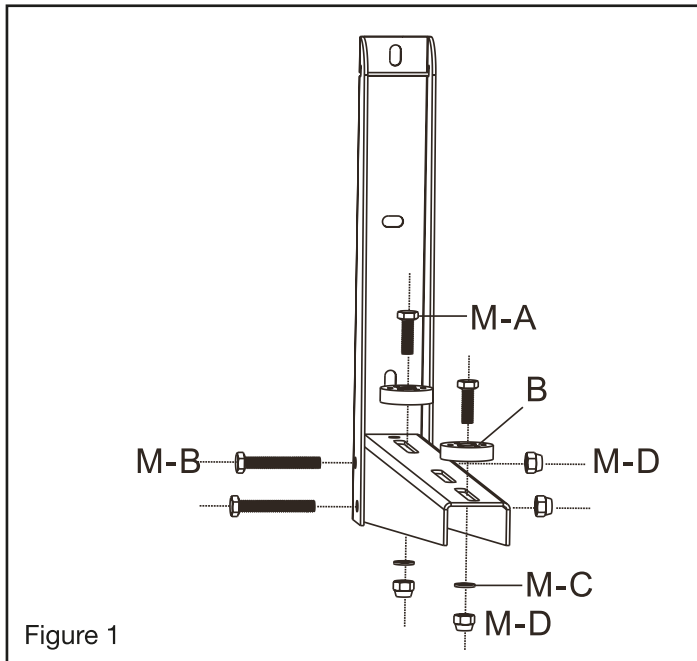
Tools Required

MASONRY INSTALLATION:

- Adjustable spanner/socket set
- Long neck flat blade screwdriver
- Power drill with hammer function
- 12mm masonry drill bit
- Spirit level and pencil
- Hammer

Step 1: Assembling the Wall Mount Arms

1. Join the vertical and horizontal wall mount arms together using the supplied 55mm bolts (M-B) secured with locking nuts (M-D) to form an 'L' shape. Place 2 anti-vibration pads (B) on each end and over the holes of the horizontal arm, then insert a 25mm bolt (M-A) through the middle of each pad and hole and secure its position with a washer (M-C) and locking nut (M-D) (see Figure 1). Tighten the bolt using a socket or spanner. The anti-vibration pads will help minimise the amount of noise caused from the AC unit vibrating when in operation.
2. Attach the wall spacers (E) to the back of each vertical mount arm (see Figure 2).

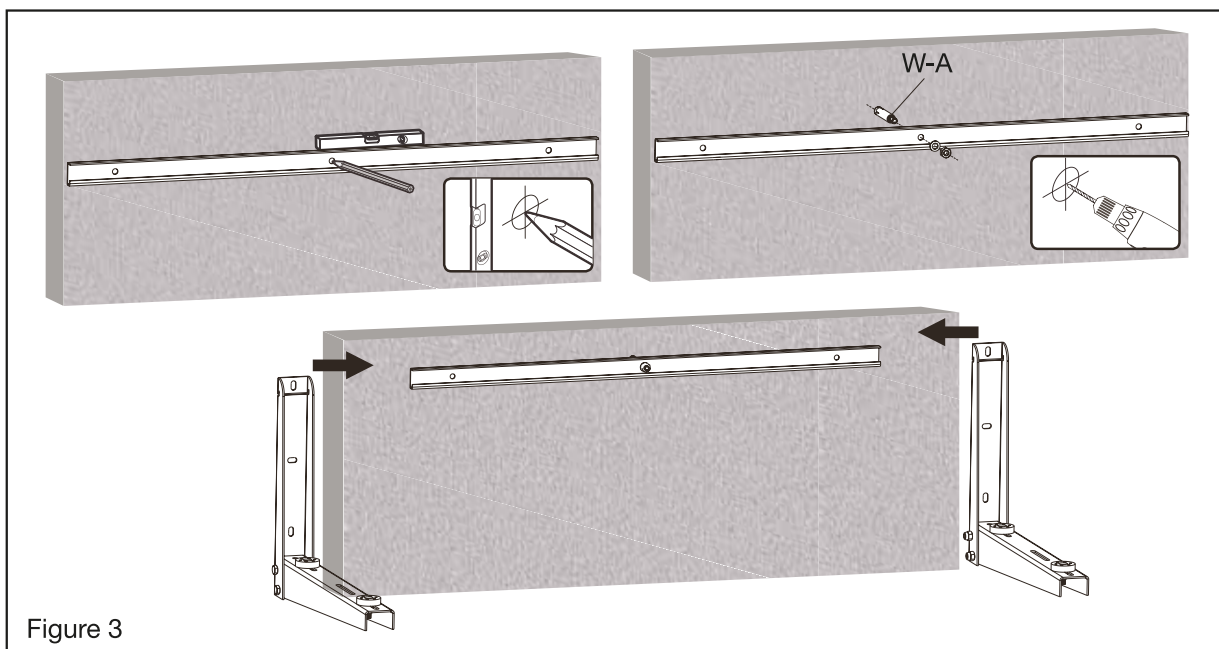


Step 2: Attach Wall Plate to Wall

1. Identify the desired location for the air conditioner unit. Ensure the wall mount is being fixed to a structurally sound wall. For the purpose of fixing the wall mount to a solid masonry wall, masonry fixings have been supplied. If the wall mount is being installed on drywall (timber supports) or steel, consult a professional builder as you will require appropriate load rating bolts for that specific substrate. Using the wall plate as a guide, mark the location for the Concrete Bolt (W-A) on the wall through the middle hole of the wall plate and drill a 12mm hole to a minimum of 55mm. Clean out hole thoroughly. Insert Concrete Bolt (W-A) into the wall, tap it into the hole with a hammer until it is flush with the washer. Tighten the Concrete Bolt nut until it is tight in the hole. Then undo and remove the nut, locking washer and washer from the Concrete Bolt.

Place the Wall Plate (A) over the Concrete Bolt, attach the washer then the locking washer and finally the nut and tighten securely (see Figure 3). Ensure the Wall Plate is secure and level.

2. Slide the two assembled mount arms onto the mounted Wall Plate. Ensure the Wall Plate is level.

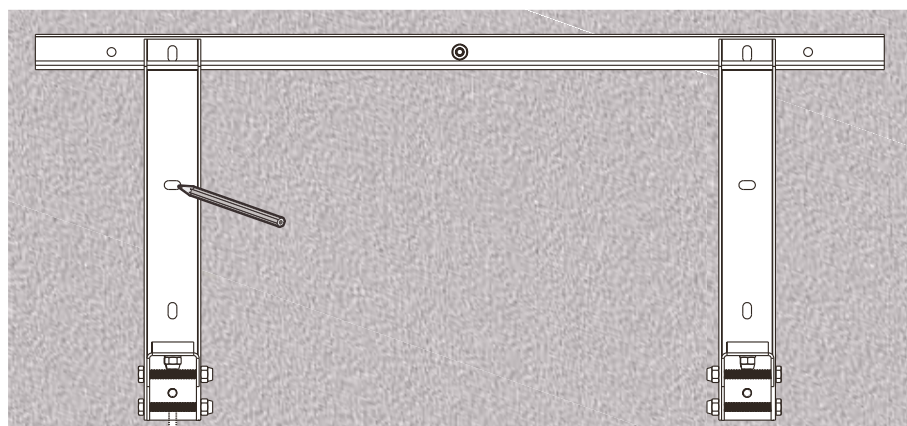


Step 3: Attach Wall Mount Arms to Wall

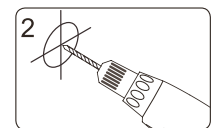
1. Measure the width of your Air Conditioner unit (foot to foot) and adjust the distance of the two assembled mount arms so that your AC unit will sit safely on the horizontal arms.
2. Using the mount arm holes as a guide, mark four mounting locations for the Concrete Bolts (W-A) on the wall and slide the vertical arms off the Wall Plate (see Figure 4).
3. Drill 12mm mounting holes to a minimum of 55mm and clean holes thoroughly.
4. Insert the Concrete Bolts (W-A) into the holes, tap into the holes with a hammer until they are flush with the washer. Tighten each Concrete Bolt nut until it is tight in the hole. Then undo and remove each nut, locking washer and washer from Concrete Bolts.

Slide the two assembled mount arms back onto the mounted Wall Plate and position the holes over the Concrete Bolt threads. Attach each washer then each locking washer and finally each nut and tighten securely (see Figure 4).

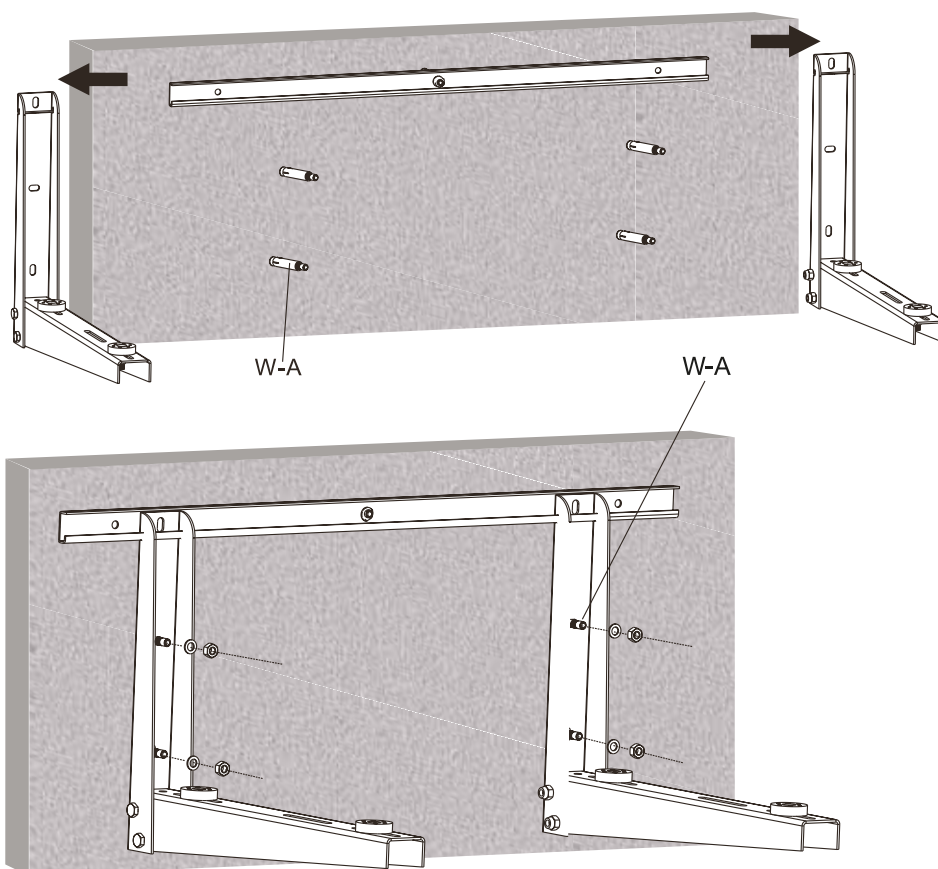
If required, adjust wall spacers (E) using a flat head screwdriver to level the mount arms.



Mark locations for mounting holes



Drill pilot holes



WARNING: The installer must verify that the supporting structure will safely support the combined weight of the Air Conditioner Wall Mount and the Air Conditioner Unit otherwise the structure must be reinforced.

Figure 4

Step 4: Place your AC unit on the Wall Mount

1. Using a second person for assistance, place your AC unit onto the Wall Mount ensuring the unit is securely placed and level on the arms of the Wall Mount and anti-vibration pads (see Figure 5).

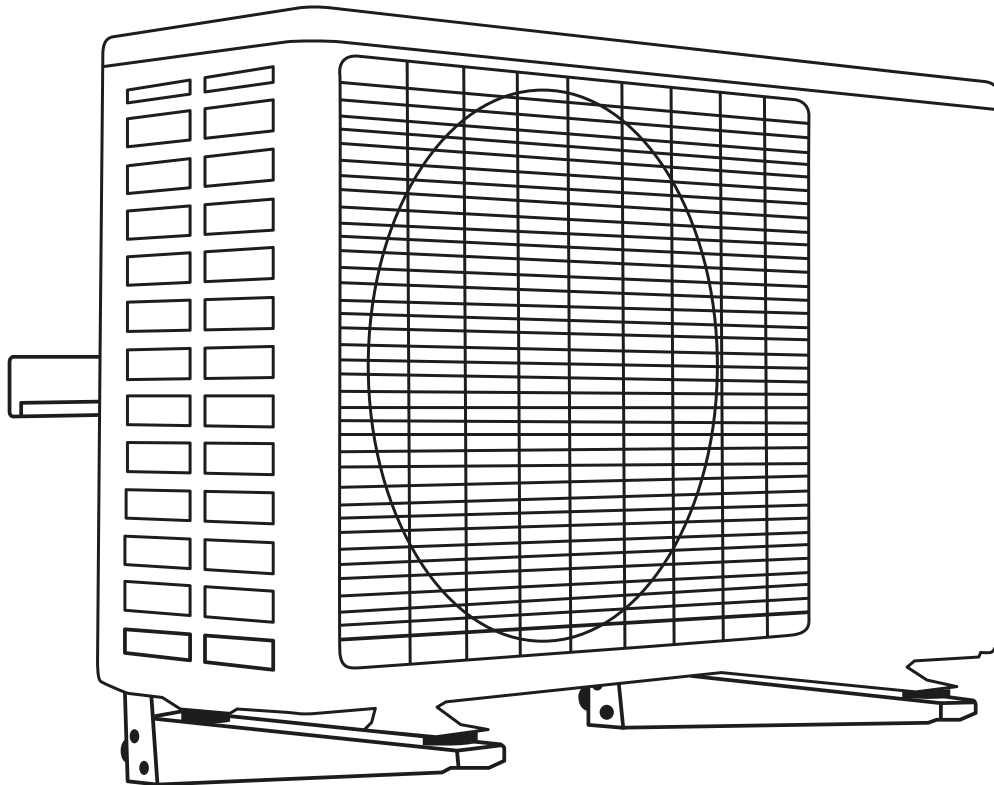


Figure 5

WARNING: The Crest Company shall not be liable for any fastening failure due to improper installation or use, exceeding the maximum load stated or defective building materials.

Step 5: Maintenance

1. Check the Wall Mount is secure and safe to use at regular intervals (at least every three months).
2. Please contact your dealer if you have any questions.

5 YEAR WARRANTY

Olbertz Holdings Pty Ltd ACN 010 003 933 trading as The Crest Company of 165 South Pine Road, Brendale, Queensland, 4500, Ph: 1800 812 261, www.crest.com.au, warrants that if this Crest product purchased by you from The Crest Company or a retail outlet is found by The Crest Company to be defective in workmanship or materials within 5 years of the date of purchase, The Crest Company will (at its election) either repair that product, replace the product, supply an equivalent product or pay the costs of repairing or replacing the product or acquiring an equivalent product.

This limited warranty will not extend to or cover any expenses associated with removing, demounting the original product or installing the repaired, replaced or equivalent product or all or any of its components, you must bear these expenses. It also does not cover damage or loss resulting from intentional or unintentional misuse of, tampering with, alterations to or incorrect installation of this product or use of this product for purposes other than that for which it is designed or in a manner inconsistent with the product's instructions. This limited warranty also does not apply to damage or loss resulting from fair wear and tear or events beyond The Crest Company control including but not limited to natural disasters.

In order to claim under this warranty, you must contact The Crest Company and return to The Crest Company (via our nominated reply paid address) the product and its components and proof of purchase (including the date and location of purchase) so that The Crest Company can verify the defect and your purchase.

Our goods come with guarantees that cannot be excluded under the Australian Consumer Law. You are entitled to a replacement or refund for a major failure and compensation for any other reasonably foreseeable loss or damage. You are also entitled to have the goods repaired or replaced if the goods fail to be of acceptable quality and the failure does not amount to a major failure. The benefits given by this warranty are in addition to other rights and remedies which you may have under a law in relation to the goods or services to which the warranty relates.

Proudly brought to you by:



PO Box 5658 Brendale
QLD Australia 4500

Customer Support
1800 812 261

www.crest.com.au
AUSTRALIAN OWNED