

ESTILO®

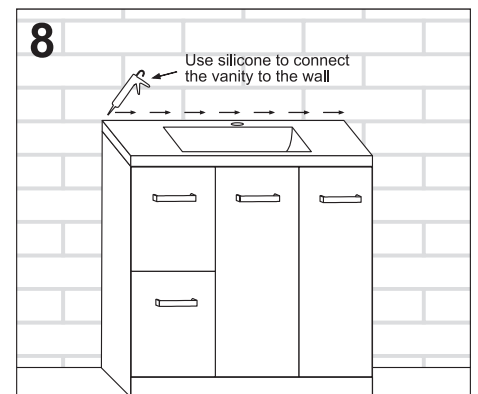
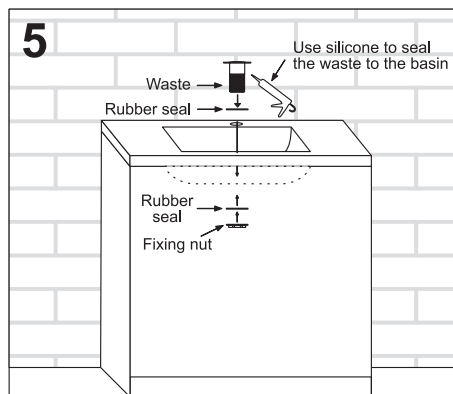
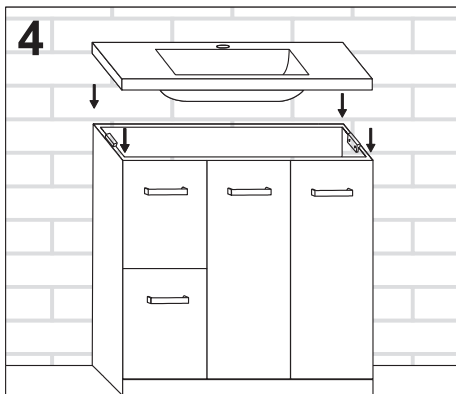
VANITY WITH SMC TOP

IMPORTANT

- Please refer to the warranty card for any claims or exclusions to the warranty.
- Prior to installation, all parts and components should be thoroughly inspected for defects. This product will not be warranted if it has been installed with pre-existing defects.
- This product must be installed by a licensed tradesperson.
- All plumbing must be installed by a licensed plumber.
- Under no circumstances should vanities and/or basins be tiled into the wall.
- This product should be installed at least 300mm away from showers or baths to avoid damage from splashing water.

INSTALLATION

1. Measure the locations that your plumbing will need to be transferred into the vanity unit.
2. Using a hole saw, drill holes to suit the size of the plumbing in the marked out locations.
3. Place the vanity into the desired location.
4. Install the SMC basin top onto the cabinet.
NOTE: The location brackets on the top inside edges of the cabinet are used for general positioning of the basin top.
5. Install a waste into the basin (not included). Anti-fungal wet area silicone is recommended to seal the top and bottom of the waste to the basin.
6. Connect all the plumbing.
7. Check for leaks.
8. Apply an anti-fungal wet area silicone sealant at the back of the basin and sides of the cabinet to ensure water cannot get behind the vanity and cause damage.



CARE INSTRUCTIONS

- Wipe down the vanity unit using warm soapy water and a soft cloth. Do not use any abrasive cleaners, chemicals, disinfectants, acetone, alcohol or cleaners which can damage the vanity unit.
- The cabinet is water resistant, not waterproof. Make sure that the bathroom is well ventilated to prevent moisture build-up. Do not allow water to stand for a long time. Ensure that the cabinet is adequately dried after cleaning.
- If the basin comes into contact with acidic materials, rinse immediately with plenty of water and wipe with a soft, dry cloth. Avoid leaving toothpaste or residues from other bathroom products on the surface for extended periods.
- Do not leave rusty objects in contact with the basin. Rust can cause staining, cracking or permanent damage to the basin surface.
- Be mindful of sharp objects that may scratch or damage the surface. Do not tap objects such as shaving razors or toothbrushes, etc., against the basin.



Acids may cause irreversible damage. Acids are present in many common products, including but not limited to: soaps, coffee, cosmetics and harsh chemical cleaners or bleaches. Cups, bottles or cans could leave residues that will etch into the vanity top material and cannot be removed. Stains caused by acids are not covered by warranty.