

COUNTER TOP BASIN INSTALLATION GUIDE

PRE-INSTALLATION INSPECTION

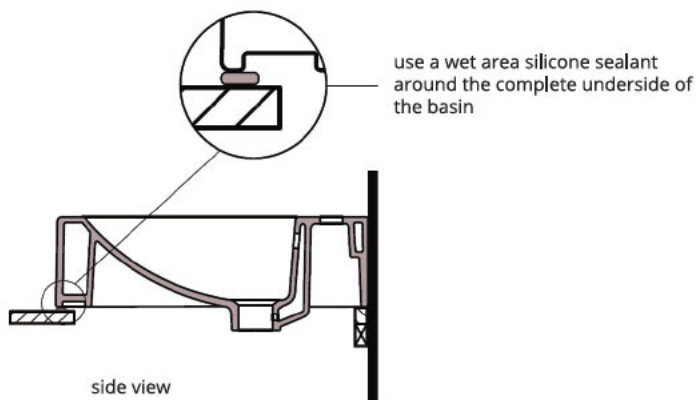
Thoroughly inspect product for any defects prior to installation. Products will not be warranted for defects after they have been installed.

THIS PRODUCT SHOULD BE INSTALLED BY AN LICENSED TRADESPERSON. Please refer to the warranty card for any claims or exclusions to the warranty.

TIP: Install tapware and basin waste before installing basin.

INSTALLATION

1. Ensure the counter top is suitable to hold the weight of the basin and has a suitable opening for the waste and tapware in the basin. If new holes need to be cut or drilled, physically measure the basin to determine cutting/drilling locations for both the waste and the tapware.
2. Test fit the position of the basin to ensure that the basin waste will mate to the trap connection (or modify the pipework to suit).
3. Once satisfied with the position, use a wet area silicone sealant around the complete underside of the basin to ensure it is fully supported (see diagram below) and secured to the counter top ensuring the basin sits level. **Epoxy type glues must not be used.**



CARE & MAINTENANCE

Be mindful of sharp objects that may scratch or damage the surface. Do not tap objects, such as shaving razors or toothbrushes etc., against any surface.

Clean with a soft damp cloth and warm water or a mild detergent. Do not use abrasive cleaners or harsh chemicals. Avoid leaving toothpaste or other bathroom products' residues on any surface for extended periods.

*Drawings are for illustration purposes only.
Actual basin may differ in style and configuration.*