

Mondella

MAESTRO
CLASSIC STYLE

MAESTRO

CHROME
WALL BASIN MIXER

35mm cartridge

Manufactured to Australian Standards
AS/NZS3718, WMKA21979 DR
ApprovalMark

Fitted with approved water saving
devices. WELS Lic No. 1101

Item Number: 0137885
MON0806



AS/NZS3718
WMKA21979 DR
ApprovalMark

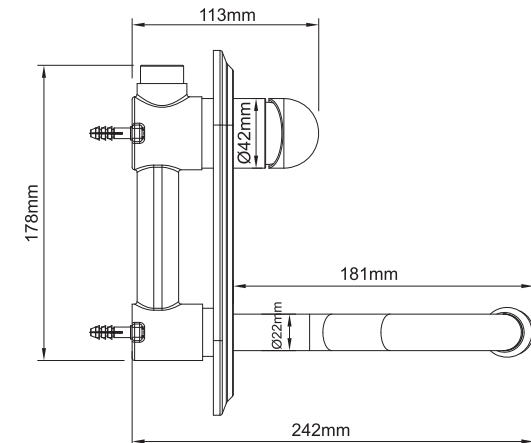
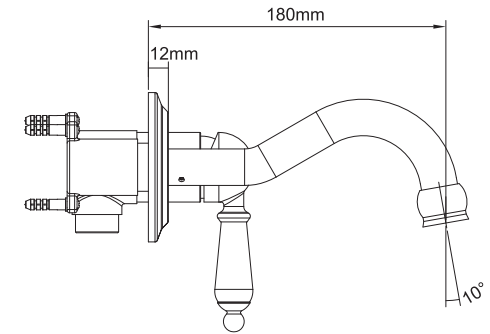
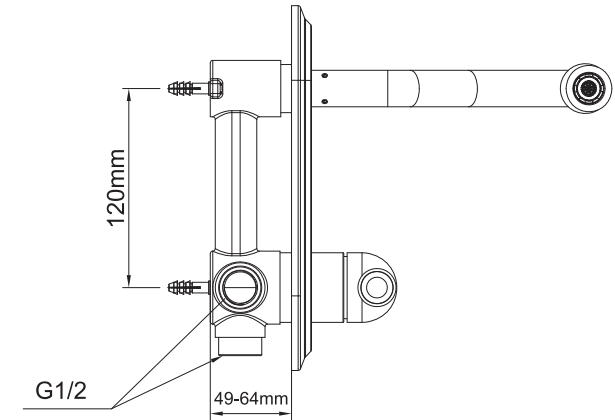
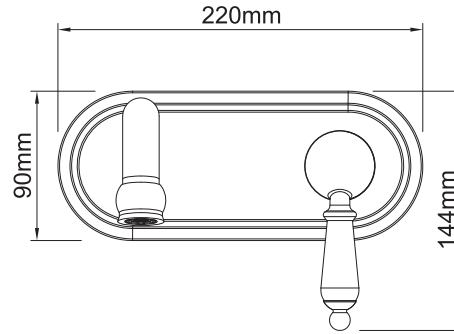


7.5 litres per minute

In accordance with AS/NZS 6400

Licence No. 1101
Kinetic Sourcing Group Ltd

10 YEAR WARRANTY*



* refer to www.mondella.com.au for full warranty details

All dimensions in millimetres (mm) and subject to manufacturing tolerances.

MON0806-FLV1
28/07/20